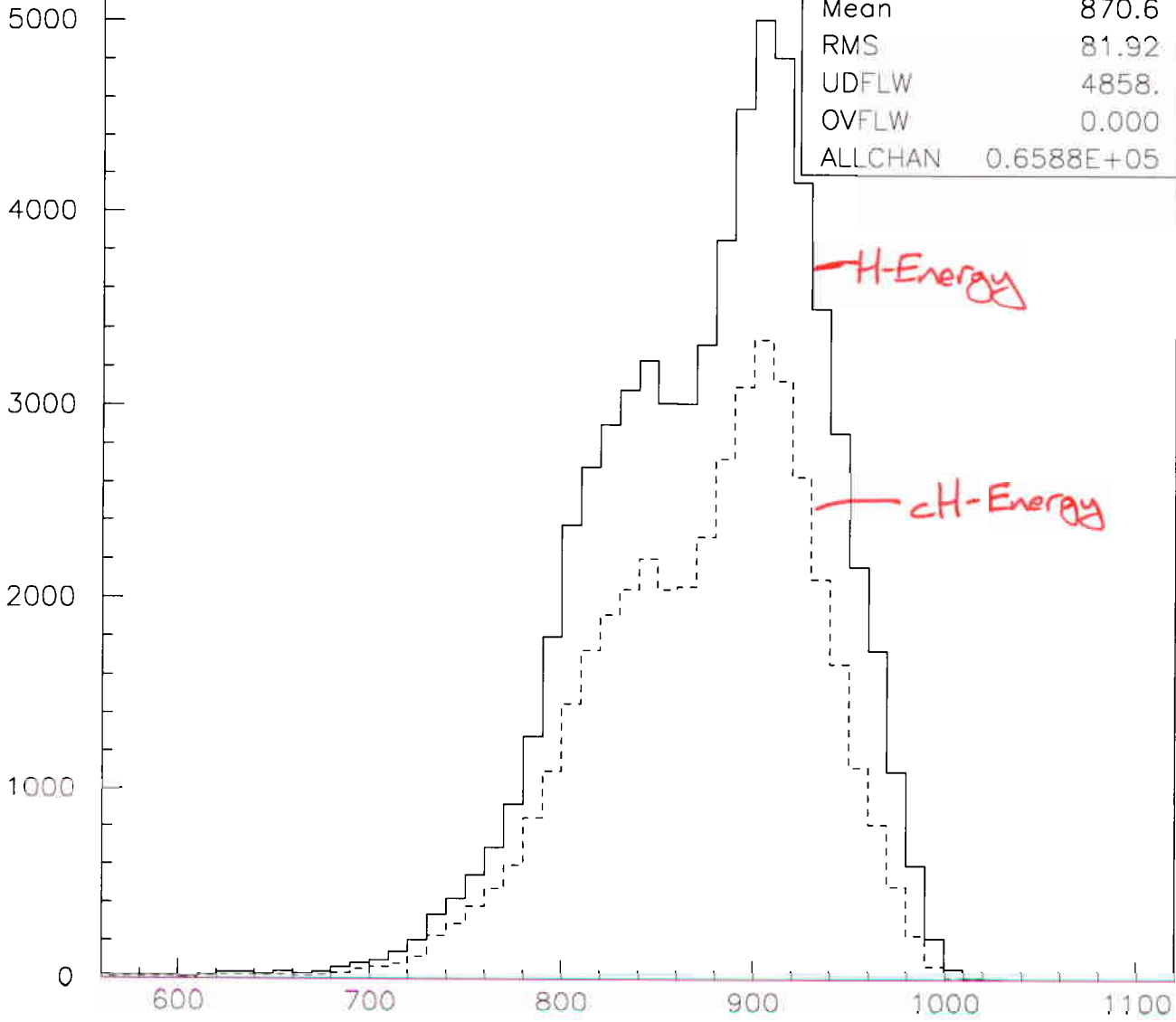


/data1/dragon/mar03/his08142.hbook

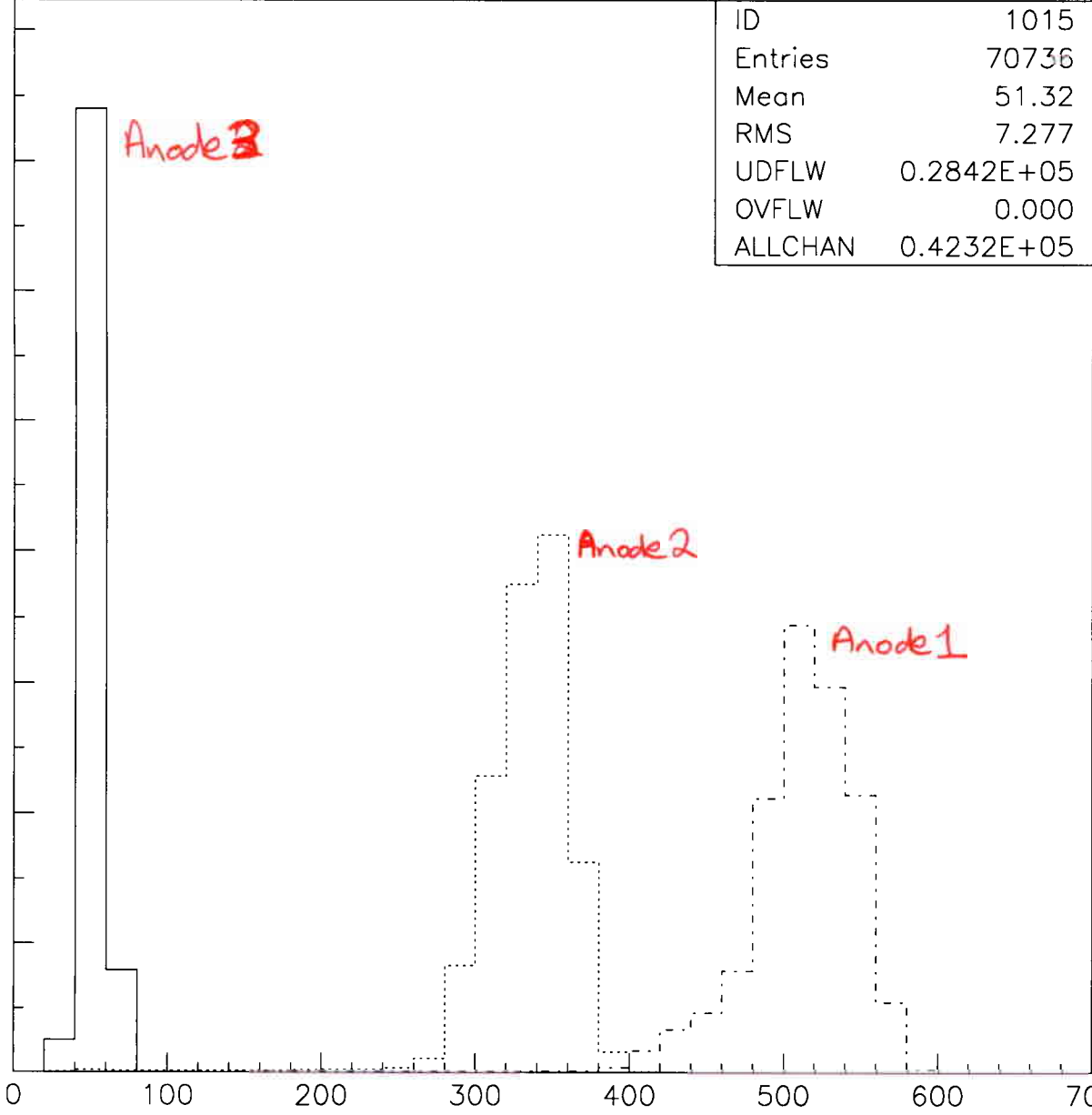
ID	1006
Entries	70736
Mean	870.6
RMS	81.92
UDFLW	4858.
OVFLW	0.000
ALLCHAN	0.6588E+05



H-Energy

/data1/dragon/mar03/his08142.hbook

40000
35000
30000
25000
20000
15000
10000
5000
0



ID	1015
Entries	70736
Mean	51.32
RMS	7.277
UDFLW	0.2842E+05
OVFLW	0.000
ALLCHAN	0.4232E+05

HI-ADC02


Run#8142 558 keV/u

	<u>Centroid</u>	<u>Fwhm</u>
Anode 1	511.9	79.7
Anode 2	335.6	53.3
Anode 3	50.0	16.4
Anode sum	879.7	134.1

} These are channel #'s in MOUNT

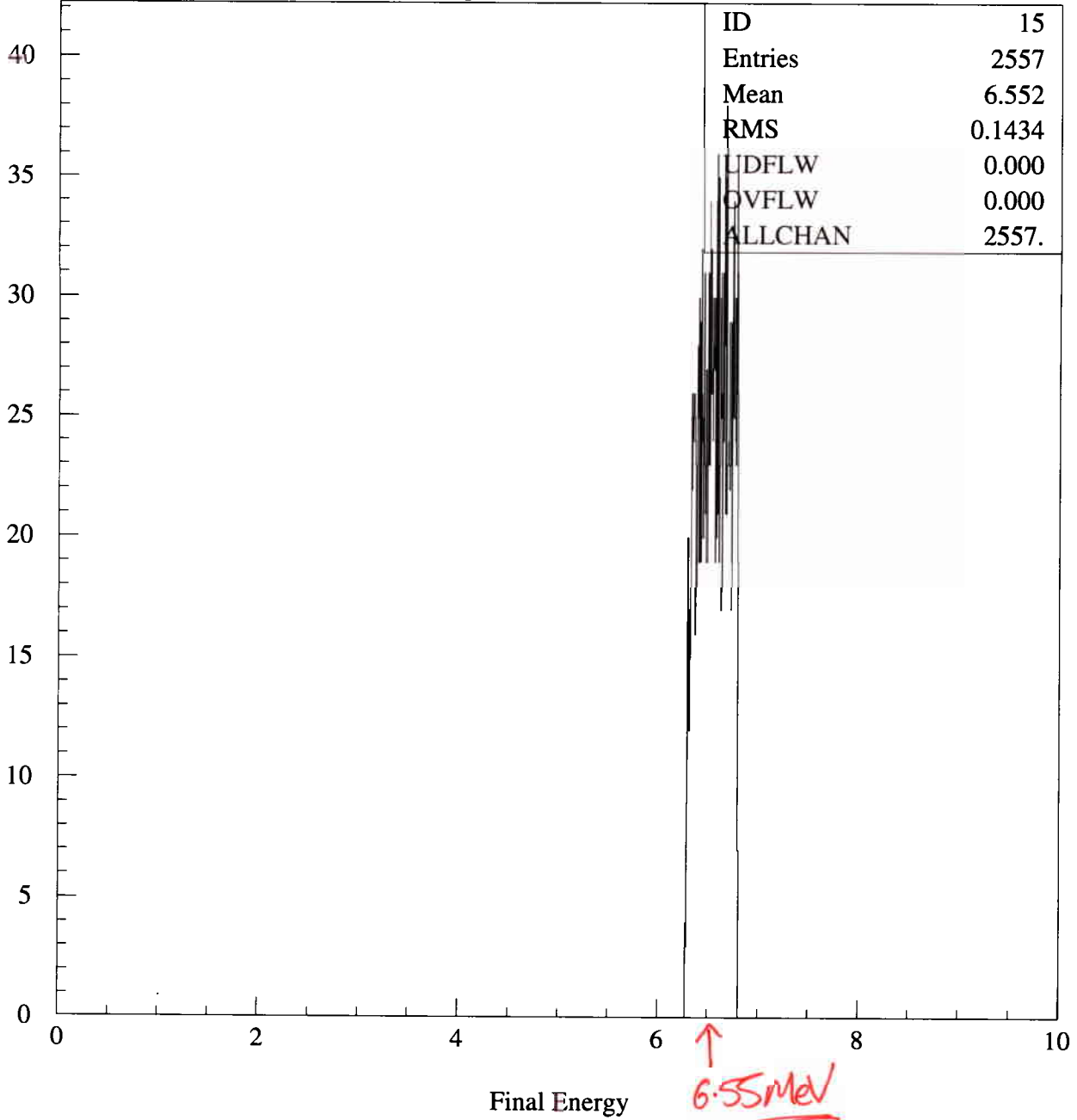
Total E deposited in IC = 5.351 MeV

↳ E after window plus dead layer.

	<u>Centroid (MeV)</u>	<u>E_{dep}</u>	<u>Fwhm (MeV)</u>
Anode 1		3.11 MeV	0.48 MeV
Anode 2		2.104 MeV	0.32 MeV
Anode 3		0.30 MeV	0.10 MeV
Anode 4			
Anode sum		5.351 MeV	0.82 MeV

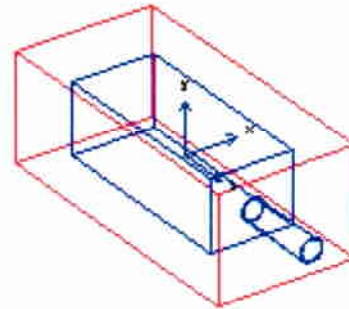
FROM M. LAMEY

/export/home/dragon/aaron/geant/dragon14.hbook



Box

DX = cm 17.4
DY = cm 13.56
DZ = cm 38.3



10 cm
|-----|

