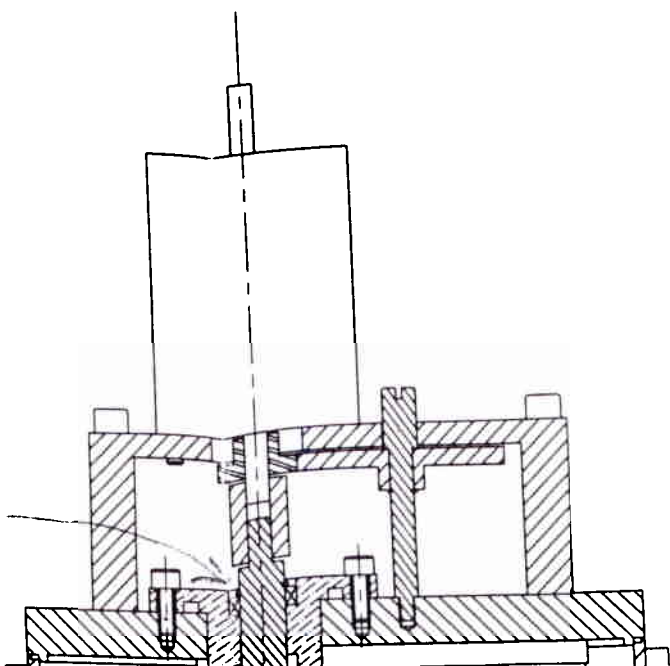


V

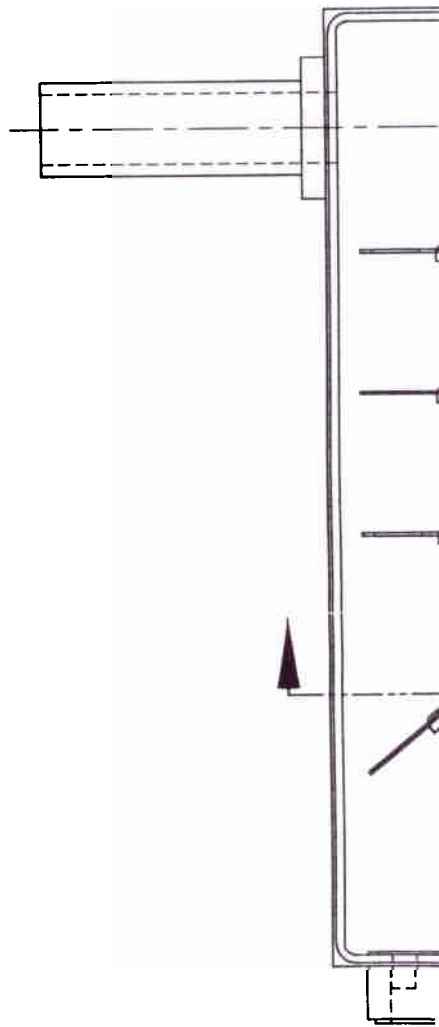
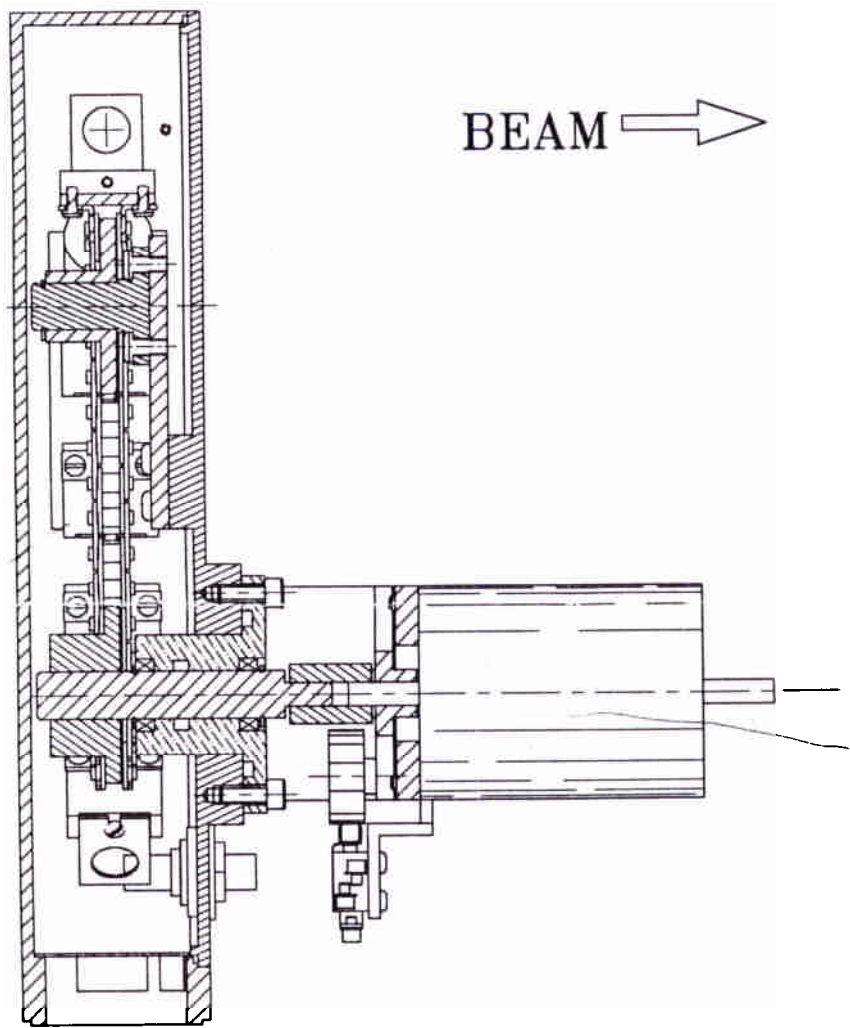


Handwritten notes or scribbles in the bottom left corner of the page.

.....

.....

2

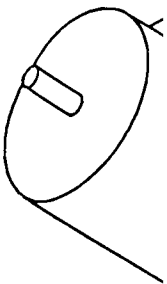
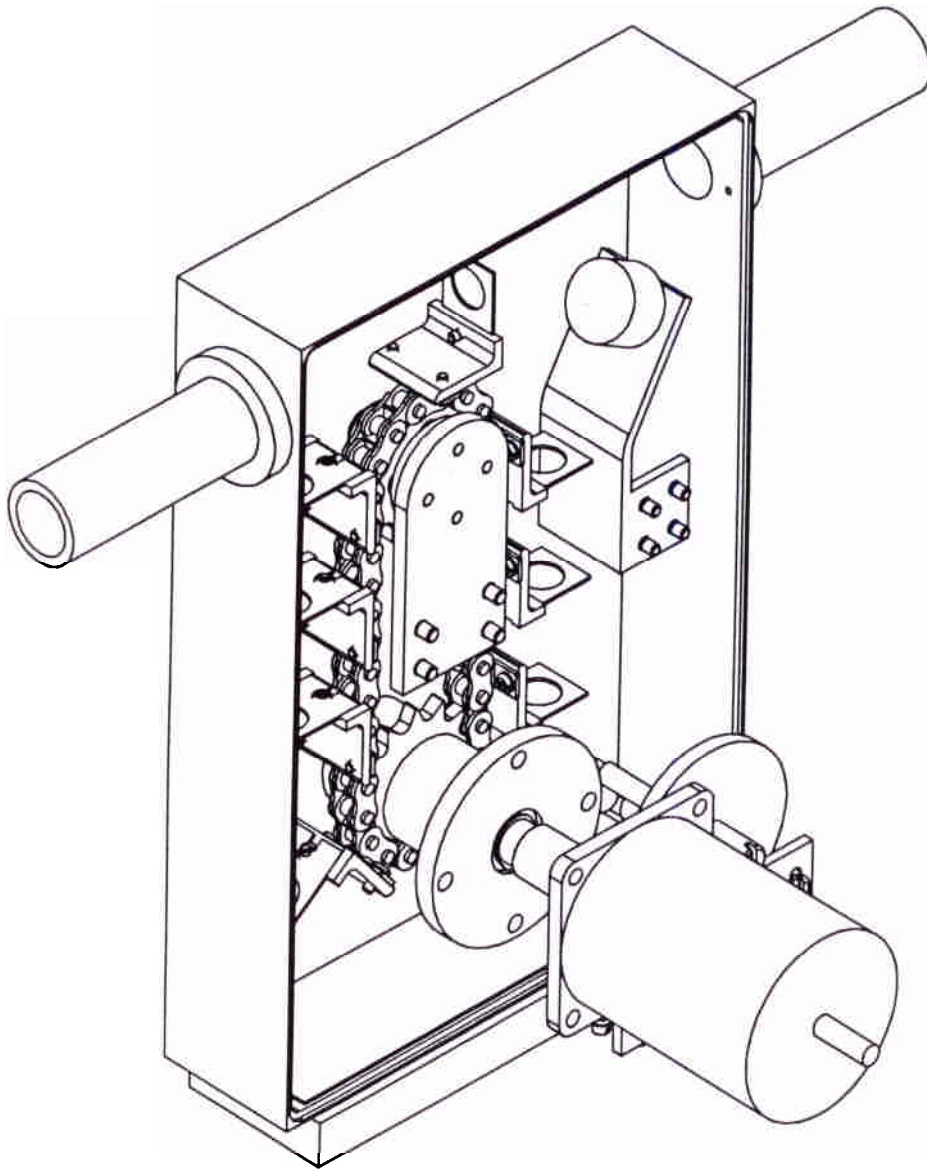


3

f

4

VIEWS WITH
MOTOR BRAC



CHECK COPY

TOLERANCES UNLESS OTHERWISE SPECIFIED				
FRACTIONS		±		
DECIMALS	.XX	±	REV	DATE
	.XXX	±		LC
ANGULAR		±		
SURFACE FINISH		μ in		
ALL DIMS IN INCHES				
DESIGNED		DL-		
DRAWN				

TRIUM
ROTATING
GAS TA