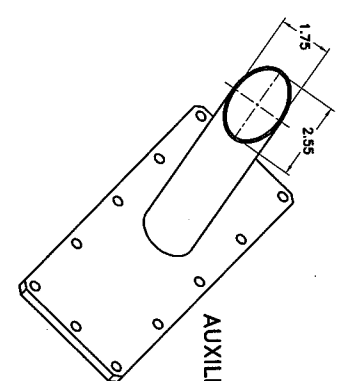
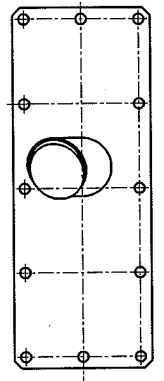
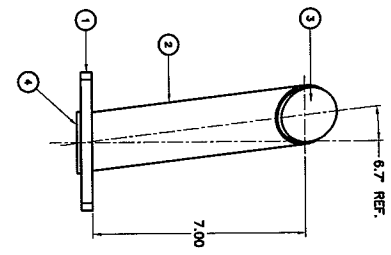
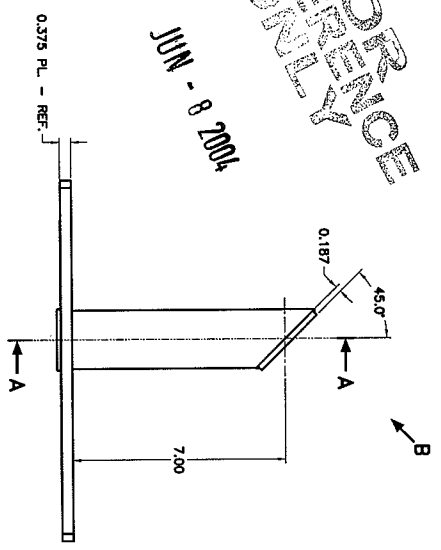


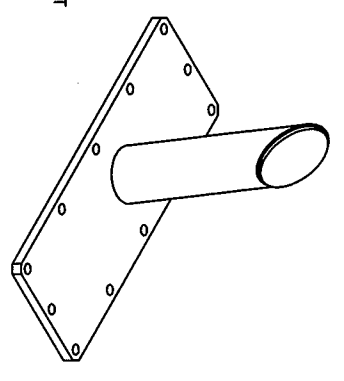
FORNCE  
LEAKY  
REPORT  
JUN - 8 2004



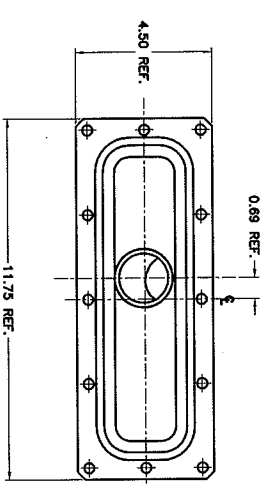
AUXILIARY VIEW - B



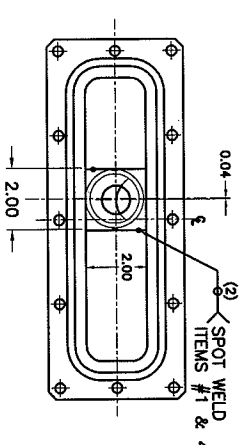
SECTION A-A



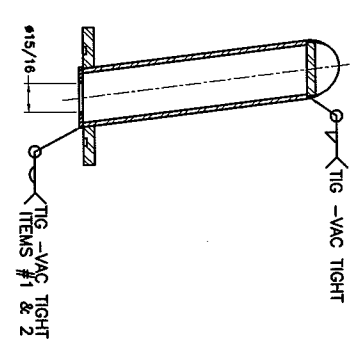
ISOMETRIC VIEW



ITEM #4 NOT SHOWN IN THIS VIEW



WELDING ITEM #1 & #4



TIG -VAC TIGHT  
ITEMS #1 & 2

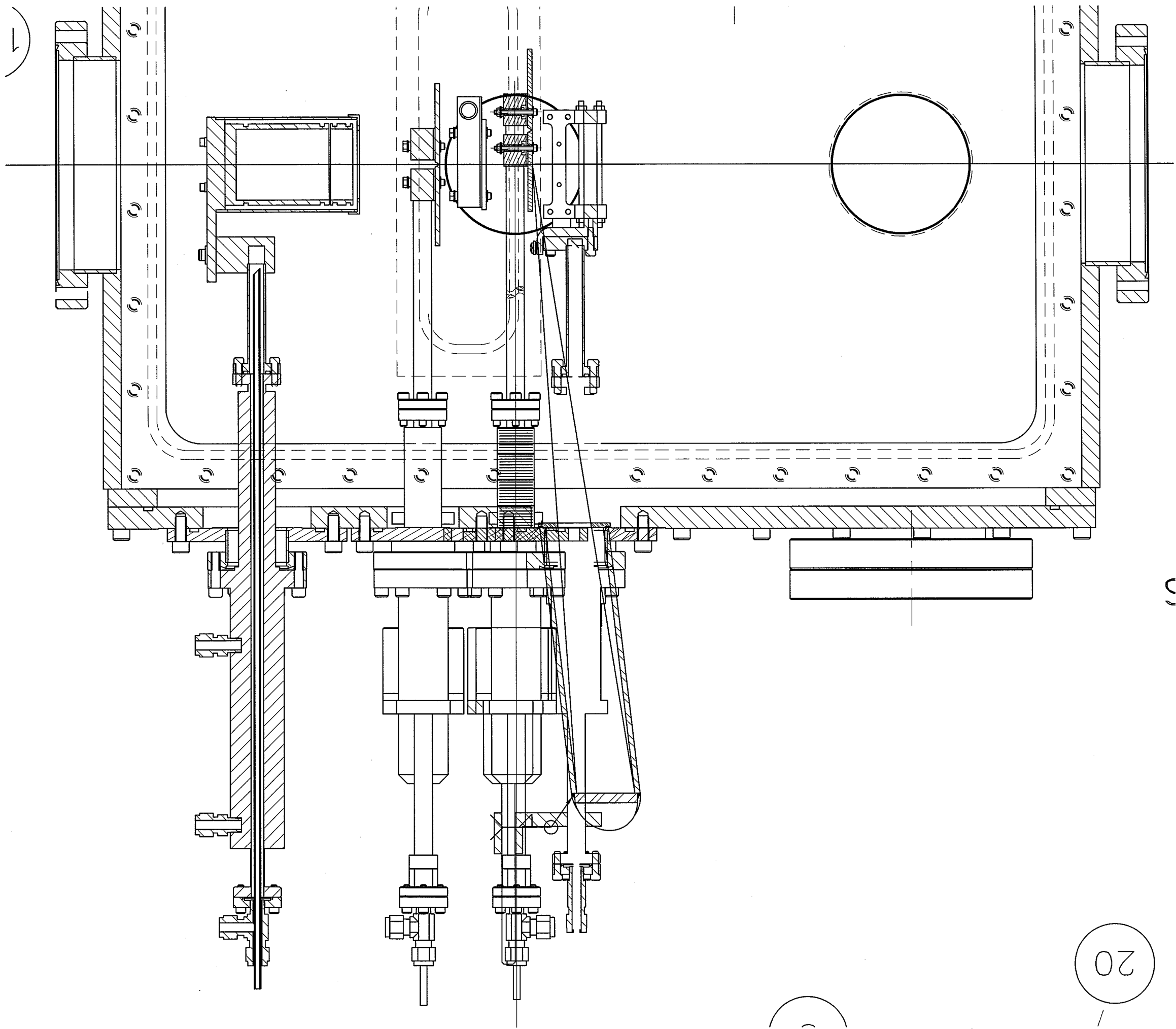
**NOTE 1**  
ALL WELDS TO BE T.I.G. WELDS, UNLESS OTHERWISE SPECIFIED.  
ALL WELDS WILL BE LEAK CHECKED. ANY LEAK IN EXCESS  
OF 10 X 10 ATM CC/SEC WILL BE RETURNED TO  
THEIR FABRICATOR FOR REPAIR.

**NOTE 2**  
PLEASE NOTE DIMENSIONS DO NOT INCLUDE ALLOWANCES  
FOR CUTTING AND FINISHING.  
DIMENSIONS ARE GIVEN AND SHOWN IN DECIMALS.

ITEM	REV	DATE	DESCRIPTION	APPROVED
1			REVISED TO - BLANK OFF FLUTE W/O.	
2			REVISED PER 1 1/2" DIA. SIZE - SCHEDULE 40	
3			(4) LEAK CO. 2 O.D. (WALL) X 1/8" AN. HEDD	
4			1/8" THICK PLATE	
5			1/8" DIA. X 1/2"	

MATERIALS LISTED ON DRAWING		REVISIONS	
ITEM	DESCRIPTION	REV	DATE
A	304 SS		
B	304 SS		
C	304 SS		
D	304 SS		
E	304 SS		
F	304 SS		
G	304 SS		
H	304 SS		
I	304 SS		
J	304 SS		
K	304 SS		
L	304 SS		
M	304 SS		
N	304 SS		
O	304 SS		
P	304 SS		
Q	304 SS		
R	304 SS		
S	304 SS		
T	304 SS		
U	304 SS		
V	304 SS		
W	304 SS		
X	304 SS		
Y	304 SS		
Z	304 SS		
AA	304 SS		
AB	304 SS		
AC	304 SS		
AD	304 SS		
AE	304 SS		
AF	304 SS		
AG	304 SS		
AH	304 SS		
AI	304 SS		
AJ	304 SS		
AK	304 SS		
AL	304 SS		
AM	304 SS		
AN	304 SS		
AO	304 SS		
AP	304 SS		
AQ	304 SS		
AR	304 SS		
AS	304 SS		
AT	304 SS		
AU	304 SS		
AV	304 SS		
AW	304 SS		
AX	304 SS		
AY	304 SS		
AZ	304 SS		
BA	304 SS		
BB	304 SS		
BC	304 SS		
BD	304 SS		
BE	304 SS		
BF	304 SS		
BG	304 SS		
BH	304 SS		
BI	304 SS		
BJ	304 SS		
BK	304 SS		
BL	304 SS		
BM	304 SS		
BN	304 SS		
BO	304 SS		
BP	304 SS		
BQ	304 SS		
BR	304 SS		
BS	304 SS		
BT	304 SS		
BU	304 SS		
BV	304 SS		
BW	304 SS		
BX	304 SS		
BY	304 SS		
BZ	304 SS		
CA	304 SS		
CB	304 SS		
CC	304 SS		
CD	304 SS		
CE	304 SS		
CF	304 SS		
CG	304 SS		
CH	304 SS		
CI	304 SS		
CJ	304 SS		
CK	304 SS		
CL	304 SS		
CM	304 SS		
CN	304 SS		
CO	304 SS		
CP	304 SS		
CQ	304 SS		
CR	304 SS		
CS	304 SS		
CT	304 SS		
CU	304 SS		
CV	304 SS		
CW	304 SS		
CX	304 SS		
CY	304 SS		
CZ	304 SS		
DA	304 SS		
DB	304 SS		
DC	304 SS		
DD	304 SS		
DE	304 SS		
DF	304 SS		
DF	304 SS		

TRITUM  
CANADIAN NATIONAL LONDON FACILITY  
POSTRON CATCHER ASSY  
MASS SLITS BOX  
ISAC - DRAGON BEAMLINER  
IBD1236D



20