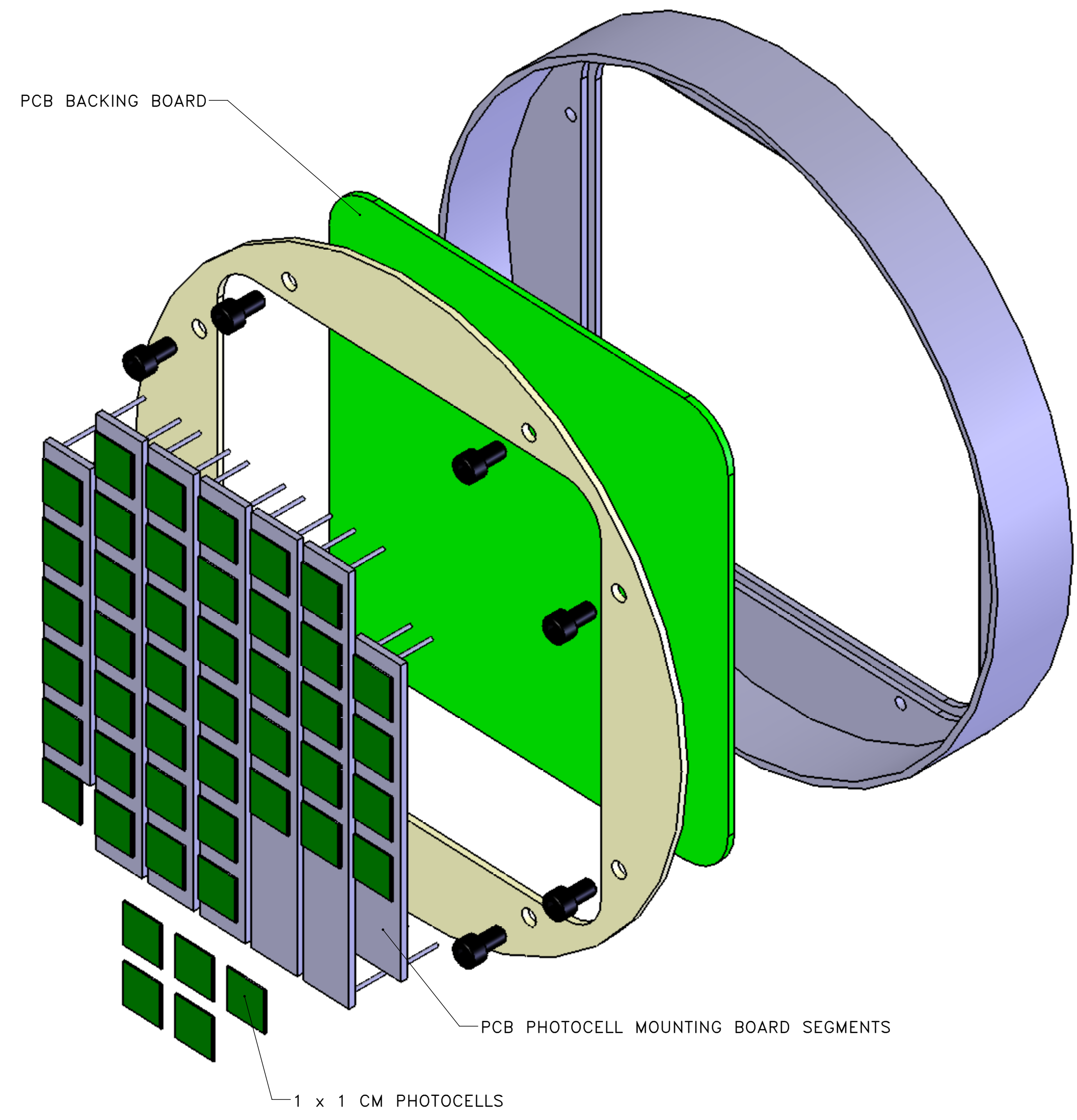
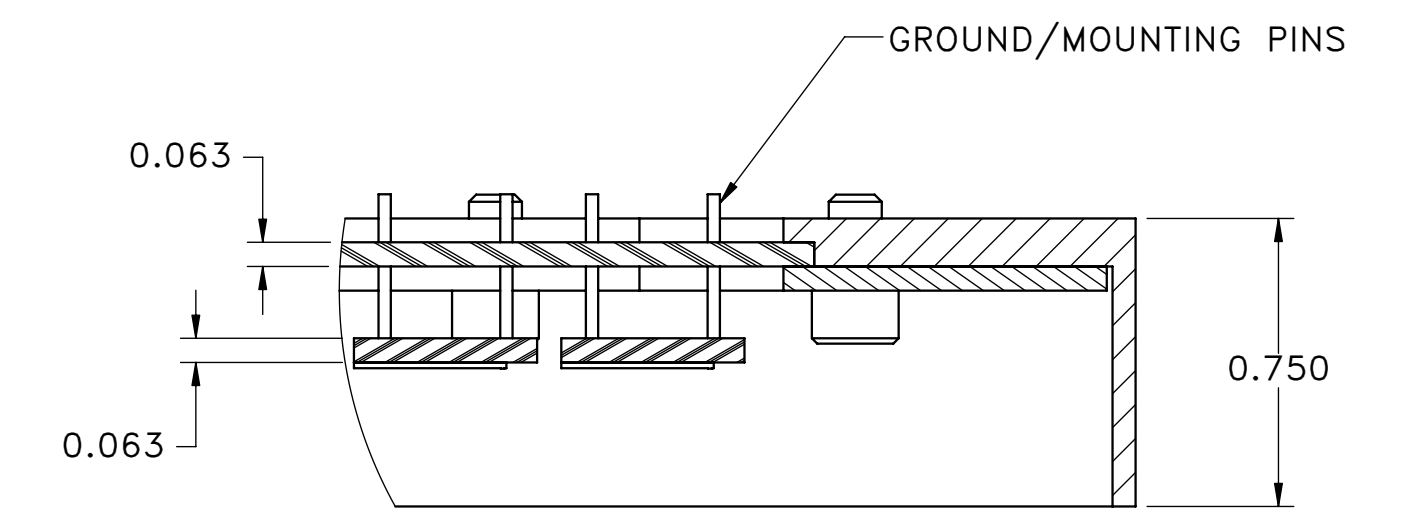
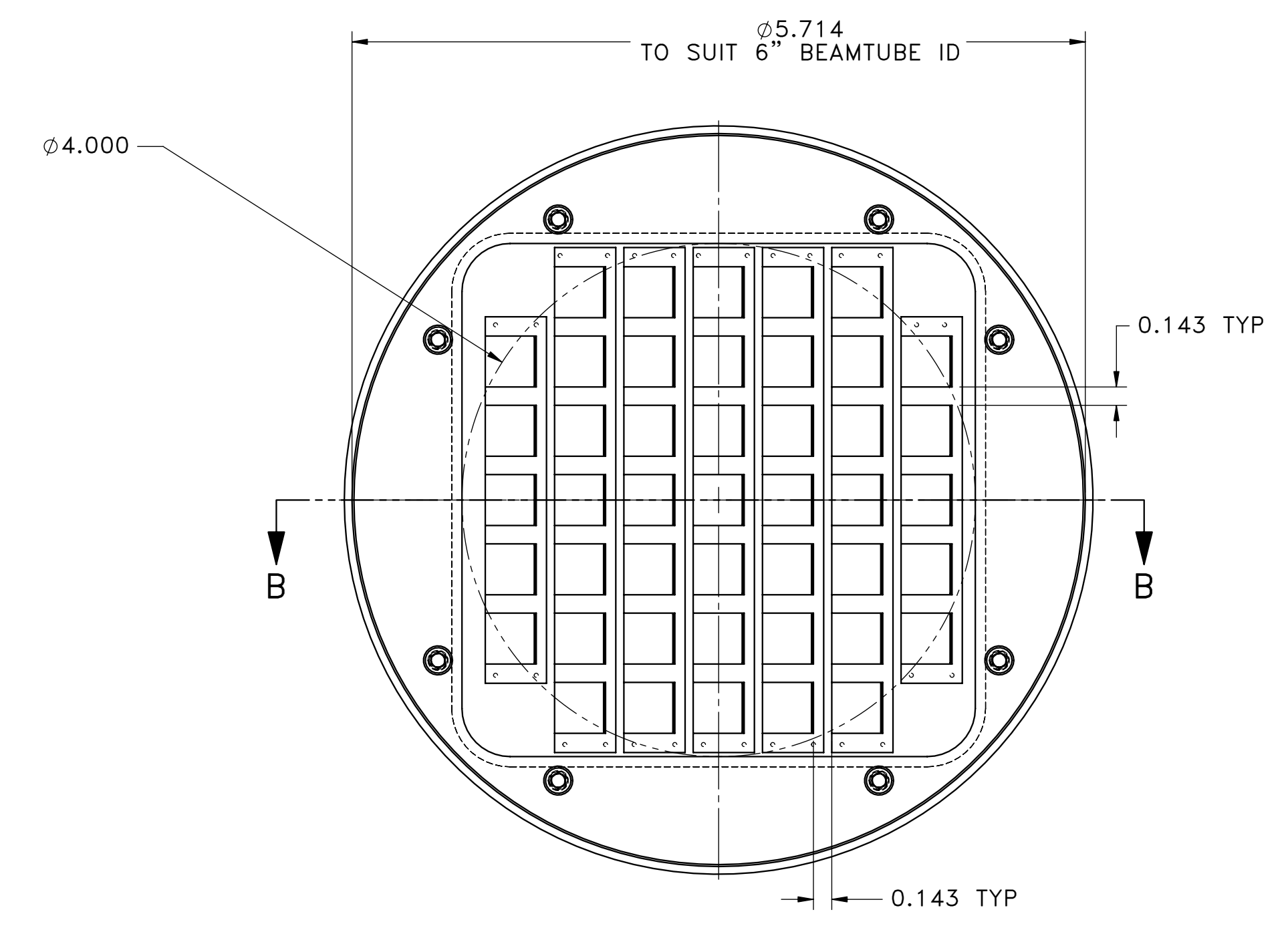


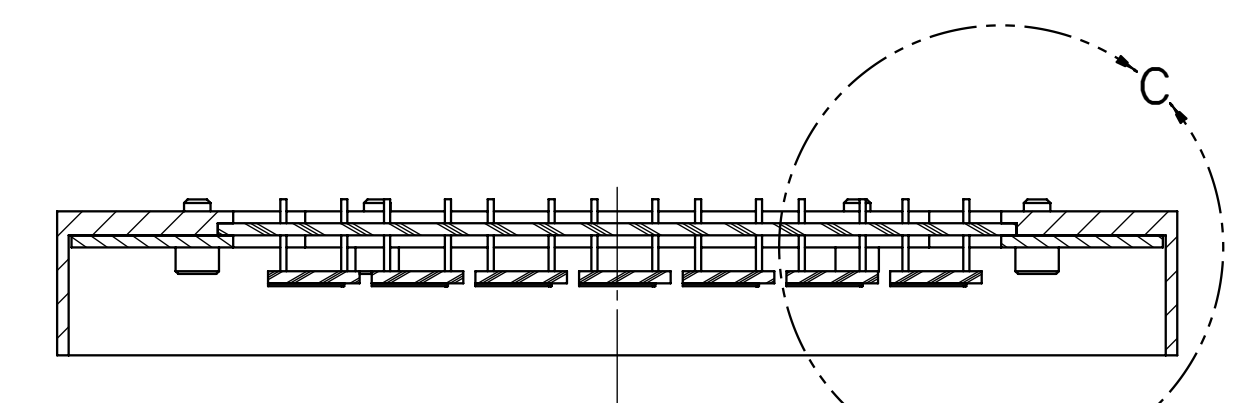
DIMENSIONS QUOTED ARE FINISHED DIMENSIONS, NO ALLOWANCE HAS BEEN MADE FOR MANUFACTURE.



EXPLODED VIEW



DETAIL C  
SCALE 2 : 1



SECTION B-B

REMOVE ALL BURRS AND SHARP EDGES

REV	DATE	ZONE	ORIGINAL ISSUE	APPROVED

TOLERANCES UNLESS OTHERWISE SPECIFIED	
DECIMALS .X	± 0.1
.XX	± 0.01
.XXX	± 0.005
ANGULAR	± 0.5°
SURFACE FINISH	125 μ inch

**TRIUMF**  
 4004 WESBROOK MALL  
 VANCOUVER, BRITISH COLUMBIA  
 CANADA V6T-2A3

CANADA'S NATIONAL LABORATORY FOR PARTICLE AND NUCLEAR PHYSICS

DO NOT COPY, THIS DOCUMENT CONTAINS PROPRIETARY INFORMATION

THIS DRAWING, SUBJECT MATTER AND INFORMATION CONTAINED THEREIN, IS THE SOLE, EXCLUSIVE AND CONFIDENTIAL PROPERTY OF TRIUMF LABORATORY, AND AS SUCH, SHALL NOT BE DISCLOSED, COPIED, REPRODUCED OR USED, IN WHOLE OR IN PART, WITHOUT EXPRESSED WRITTEN PERMISSION OF THE TRIUMF LABORATORY OR ITS REPRESENTATIVES.

DESIGNED	
DRAWN	
CHECKED	
REA #	
TRI-DN-	

ALL DIMS IN INCHES

ASSEMBLY  
**ALPHA DETECTOR CELL**  
**DRAGON**

SCALE 1:1

DATE  

DWG NO. **IDE0459**

SIZE **D**

SHEET **1** OF **1**

REV **2**